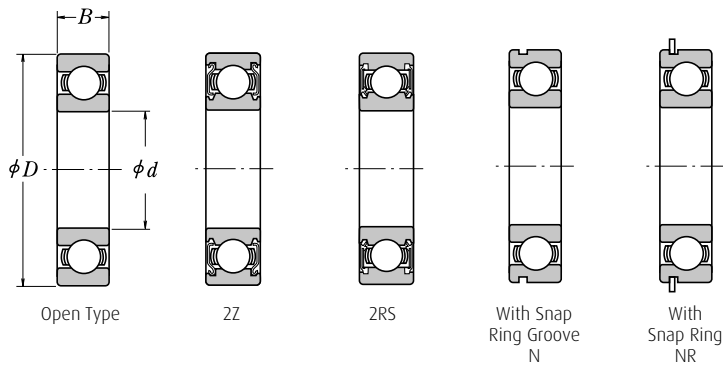


Single Row Deep Groove Ball Bearings (Inch)

Bore Diameter $\frac{1}{8}$ – $1\frac{1}{4}$ Inch



Boundary Dimensions (Inch)			Basic Bearing (N)	Variants						Basic Load Ratings		Limiting Speeds (min ⁻¹)			Mass (kg) approx
d	D	B		Z	-2Z	RS	-2RS	N	NR	C _r	C _{or}	Grease		Oil	
												Open Z ZZ	RS 2RS	Open Z	
$\frac{1}{8}$	$\frac{3}{8}$	$\frac{5}{32}$	KLNJ $\frac{1}{8}$							665	230	40 000		48 000	
$\frac{3}{16}$	$\frac{1}{2}$	$\frac{5}{32}$	KLNJ $\frac{3}{16}$							1 350	490	38 000		45 000	
$\frac{1}{4}$	$\frac{3}{4}$	$\frac{7}{32}$	KLNJ $\frac{1}{4}$							2 530	1 030	32 000		38 000	
	$\frac{3}{4}$	$\frac{5}{32}$	KLNJ $\frac{1}{4}$							2 530	1 030	32 000	22 000	38 000	
$\frac{3}{8}$	$\frac{7}{8}$	$\frac{7}{32}$	KLNJ $\frac{3}{8}$							3 460	1 410	29 000		36 000	
	$\frac{7}{8}$	$\frac{5}{32}$	KLNJ $\frac{3}{8}$							3 460	1 410	29 000	20 000	36 000	
	$1\frac{1}{2}$	$\frac{5}{16}$	MJ $\frac{3}{8}$							10 100	4 200	20 000		27 000	
$\frac{1}{2}$	$1\frac{1}{8}$	$\frac{1}{4}$	KLNJ $\frac{1}{2}$							4 180	2 010	26 000		32 000	
	$1\frac{1}{8}$	$\frac{5}{16}$	KLNJ $\frac{1}{2}$							4 180	2 010	26 000	17 000	32 000	
	$1\frac{5}{16}$	$\frac{3}{8}$	LJ $\frac{1}{2}$							6 950	3 220	21 000	14 700	28 500	
	$1\frac{5}{8}$	$\frac{5}{8}$	MJ $\frac{1}{2}$							12 100	5 100	18 500	12 900	25 000	
$\frac{5}{8}$	$1\frac{3}{8}$	$\frac{5}{32}$	KLNJ $\frac{5}{8}$							5 800	3 370	22 000		28 000	
	$1\frac{3}{8}$	$\frac{11}{32}$	KLNJ $\frac{5}{8}$							5 800	3 370	22 000	13 000	28 000	
	$1\frac{5}{8}$	$\frac{7}{16}$	LJ $\frac{5}{8}$							10 900	5 000	18 000	12 500	24 000	
	$1\frac{5}{8}$	$\frac{3}{8}$	MJ $\frac{5}{8}$							12 600	5 600	16 500	11 500	22 000	
$\frac{3}{4}$	$1\frac{1}{8}$	$\frac{5}{16}$	KLNJ $\frac{3}{4}$							8 200	4 400	17 000		22 500	
	$1\frac{1}{8}$	$\frac{7}{16}$	KLNJ $\frac{3}{4}$							8 200	4 400	17 000		22 500	
	$1\frac{3}{8}$	$\frac{5}{16}$	LJ $\frac{3}{4}$							14 200	6 700	15 500	10 800	21 000	
	2	$\frac{11}{16}$	MJ $\frac{3}{4}$							16 500	7 850	14 700	10 300	20 000	
$\frac{7}{8}$	$1\frac{1}{8}$	$\frac{3}{8}$	KLNJ $\frac{7}{8}$							12 000	6 400	14 800		20 000	
	$1\frac{1}{8}$	$\frac{1}{2}$	KLNJ $\frac{7}{8}$							12 000	6 400	14 800	10 200	20 000	
	2	$\frac{5}{16}$	LJ $\frac{7}{8}$							14 400	7 000	14 300	10 000	19 500	
	$2\frac{1}{4}$	$\frac{11}{16}$	MJ $\frac{7}{8}$							19 200	9 400	13 300	9 300	18 000	
1	2	$\frac{3}{8}$	KLNJ1							11 800	7 200	13 600		18 500	
	2	$\frac{1}{2}$	KLNJ1							11 800	7 200	13 600	9 500	18 500	
	$2\frac{1}{4}$	$\frac{5}{8}$	LJ1							18 600	9 700	12 700	8 900	17 000	
	$2\frac{1}{2}$	$\frac{3}{4}$	MJ1							22 100	11 000	12 200	8 500	16 500	
$1\frac{1}{8}$	$2\frac{1}{8}$	$\frac{3}{8}$	KLNJ $1\frac{1}{8}$							11 700	7 300	13 000		17 500	
	$2\frac{1}{2}$	$\frac{5}{8}$	LJ $1\frac{1}{8}$							20 200	11 300	11 700	8 200	15 500	
	$2\frac{9}{16}$	$\frac{11}{16}$	MJ $1\frac{1}{8}$							30 800	16 600	10 800	7 500	14 500	
$1\frac{1}{4}$	$2\frac{1}{4}$	$\frac{3}{8}$	KLNJ $1\frac{1}{4}$							12 800	8 700	11 900		16 000	
	$2\frac{1}{4}$	$\frac{1}{2}$	KLNJ $1\frac{1}{4}$							12 800	8 700	11 900		16 000	
	$2\frac{3}{4}$	$\frac{11}{16}$	LJ $1\frac{1}{4}$							27 700	15 000	10 600	7 400	14 400	
	$3\frac{1}{8}$	$\frac{7}{8}$	MJ $1\frac{1}{4}$							37 700	19 600	9 800	6 800	13 200	